

# *WeatherBest™ Window Awnings*

*Constructed of durable ABS Plastic with a  
super-tough Korad™ Acrylic finish.*

## **Assembly Instructions**

**Tools Required:** Phillips Screwdriver – 6”

3/8” nut driver or wrench

1/4” electric drill

11/64” drill bit

1/4” drill bit

36” carpenter’s level

Pencil

Ladder

**Important Notes:** 1) Read ALL installation steps before beginning assembly.

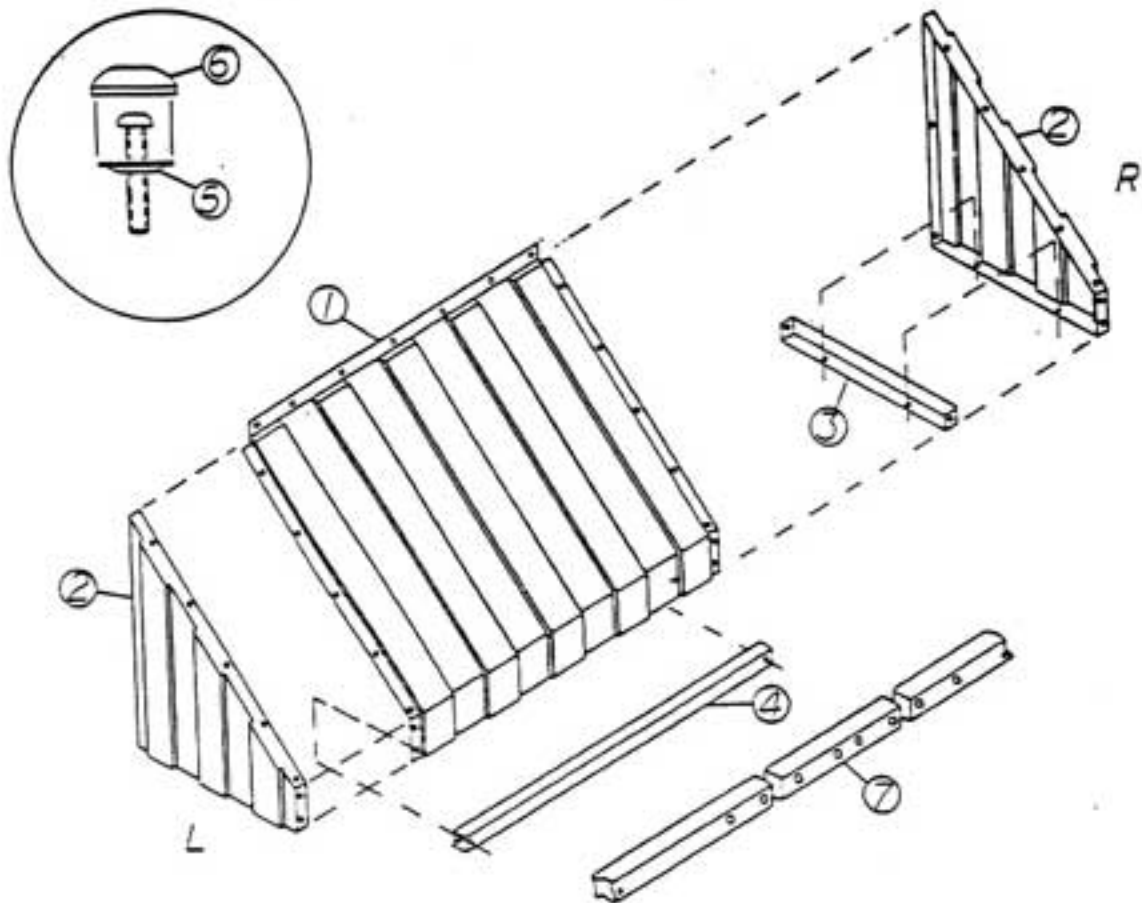
2) Open BOTH ENDS of shipping carton and each packaging insert to find all necessary hardware and components. Special attention should be given to the insert at the end of the carton that has a false bottom for packaging protection.

3) Before discarding any packaging material, check for small parts that may have been overlooked.

### ***WeatherBest™ Awning & Canopy Limited Lifetime Warranty***

East Iowa Plastics, Inc. provides the industry’s only lifetime warranty on exterior surface fading and a six-year warranty on tearing, breaking cracking, denting or splitting. Simply return defective awnings or canopies to place of purchase with proof of purchase.

East Iowa Plastics, Inc. will not be held liable for any direct, indirect, incidental, special or consequential damages. The manufacturer assumes no responsibility for failure or damage, due to improper installation. Our liability will not exceed the replacement of the defective awning or canopy itself. Installation costs will not be included.



## AWNING ASSEMBLY DIAGRAM

- |                       |                                  |
|-----------------------|----------------------------------|
| #1. Center Panel(s)   | #4. Reinforcement Tube(s)        |
| 30" - 48": one panel  | 30" - 48": one tube              |
| 60" - 84": two panels | 60" - 96": two tubes             |
| 96": four panels      | #5. Cupped Washers               |
| #2. End Panel (R & L) | #6. Plastic Cap                  |
| #3. Angle Brace       | #7. Splice Tube (60" - 96" only) |

**PLEASE SPECIFY COLOR AND OVERALL LENGTH OF AWNING WHEN ORDER REPLACEMENT PARTS.**

### ***PAINING INSTRUCTIONS***

If you desire to change the base color of your new awning it may be painted using a quality grade of solvent base acrylic enamel. A spray method of application provides the best results, such as a quality grade of exterior spray paint. Awning will require two to three light coats for complete coverage.

Awning must be clean and free of contaminants before painting. Wash with a mild soap and luke warm water solution. Rinse and allow awning to dry completely. Test a small section for adhesion before completely painting. To ensure complete success, allow paint finish to completely dry and cure 24 to 48 hours before installation.

To maintain the reflective properties of the interior awning surface we do not recommend painting the interior surface. To protect this surface from possible overspray, paper and masking tape should be used.

## INSTALLATION STEPS

- STEP 1)** Draw a horizontal line on the home at the desired distance above each window. This line should extend the full length of the awning width. **NOTE:** Casement type crank out windows should be opened to determine clearance needed above window.
- STEP 2)** Lay end panels (#2) flat, interior side facing up. Place 24" long angle brace (#3) to the inside bottom edge aligning predrilled holes. Fasten using holes on the bottom edge only with #10-24 x 3/4" phillips head bolt, cupped flat washers and nylon nuts. Nylon nut should be placed against the angle brace.
- STEP 3)** **30" to 48" Awnings**  
Position center panel (#1) so top edge is even with horizontal line and ends are equally spaced from edges of widow frame. Mark hole locations with pencil. Drill 1/8" pilot holes to ease the placement of lag screws. Fasten with #10 x 1" phillips head lag screws and cup type washer (#5). **NOTE:** Flat side of cup washer should be against plastic. **DO NOT** overtighten screws to cause plastic or cup washers to deform.
- 60" to 84" Awnings**  
Joint two center panels with lap joint in center. The lap joint will be the wider of the two edges on each panel. The narrow edges will then be towards outside of the window frame. Join the center panels using #10-24 x 3/4" phillips head bolts with cupped flat washers and nylon nuts provided. Nylon nuts should be to the inside of the panels. Proceed with installation as Step #3 for 30" to 48" Awnings.
- 96" Awning**  
Join the two center panels with lap joints using #10-24 x 3/4" phillips head bolts with cupped flat washers and nylon nuts provided. Nylon nuts should go to the inside of the panels. Next join this assembled unit to the two outer center panels, using the same size hardware. **NOTE:** The outer center panel edges are different widths. Connect the assembled unit to the widest edge of each panel so when all four panels are connected the narrow edges will be to the outside of the window frame.
- STEP 4)** End panels should be slid over the center panel flange being sure to position the flanged end of the angle brace between the two pieces of plastic. Fasten end panels to center panels with #10-24 x 3/4" phillips head bolts, flat cupped washers and nylon nuts. Nylon nuts should be to the inside of the panel. **NOTE: DO NOT USE THE BOTTOM HOLE IN FRONT AT THIS TIME.**
- STEP 5)** **30" to 48" Awnings**  
Place the (1 piece) square reinforcement tube between the end panels using the bottom front hole on the side panels and fasten using #10-24 x 3/4" phillips head bolt, cupped washer and nylon nut. Cupped washer should be to the outside of the awning.
- 60" to 96" Awnings (Both 96" 2 panel or 4 panel)**  
Center reinforcement tube is provided in three sections and designed to telescope inside one another. Insert splice tube (#7) inside larger tubes. Be sure holes are aligned by placing two #10-24 x 3/4" phillips head bolts through the outer most holes of each end where splice tube is located. These bolts should have cupped washers on head end of bolt. Fasten with nylon nut. **DO NOT** tighten fully at this point. Proceed with assembly as explained in STEP 5 for 30" to 48" awnings being certain to have cupped washer side of reinforcement to the inside of the awning.
- STEP 6)** Using carpenters level align end panels vertically with window. Mark hole locations and drill pilot holes using 1/8" drill bit. Fasten panels to wall using #10-24 x 1" phillips head lag screws with cupped washers (flat side towards plastic). **DO NOT** overtighten to cause plastic or cupped washer to deform.
- STEP 7)** Align bottom edge of center panel with square reinforcement tube. Drill 1/4" diameter holes from the inside of the awning out using the holes in the reinforcement tube to pilot the drill. Fasten center panels to the reinforcement tube using #10-24 x 3/4" phillips head bolts, cupped washers, and nylon nuts. Nylon nuts should be to the inside of the awning and against the reinforcement tube. Start in center of awning, one hole location at a time, and alternate from one side to the other until you reach awning sides.
- STEP 8)** Snap color coordinated plastic caps (#6) over all exposed cupped washers on both the outside and inside of the awning to complete installation. If caps are difficult to snap into place, push the cap over you thumb as if trying to turn inside out. This will stretch the cap enough to ease installation.

## TROUBLE SHOOTING GUIDE FOR PLASTIC AWNINGS

### Missing Hardware/Components

Due to the special packaging used to ensure your awning and components arrive in satisfactory condition we ask that all packaging inserts and both ends of the carton be opened to expose all necessary hardware and component parts. If in the unlikely event a piece of hardware is missing from the carton simply call the store from which the awning was purchased for replacement hardware. To expedite your request please specify color and overall length of awning when ordering replacement parts. Also from the enclosed diagram specify which item(s) are missing from the carton and the manufacturing lot number shown on the front cover in the lower left corner.

### Caps Will Not Snap in Place

First check to see that cupped washers and mounting screws are not overtightened. Screws should be tight, but not overtightened to deform plastic or cupped washer. Push the caps over your thumb as if trying to turn inside out. This will stretch the plugs to ease installation. If caps will still not snap in place a lubricant may be used, such as liquid dishwashing soap.

### Wrinkle/Bulge Along Inside Edge of End Panels

In the rear side of the awning if the mounting screws are overtightened the side reinforcement bracket can be pulled out of square. This is especially true when the awning is being mounted on wooden trim. These screws must not be overtightened. If overtightening is not the apparent cause, there may be an unevenness between the awning surface and the mounting surface. This may be checked with the carpenter's level vertical along the awning front. Add spacer washers until front surface appears level.

## CARE, CLEANING AND MAINTENANCE OF YOUR AWNING

Your new plastic awning is manufactured using a high impact ABS plastic. The outer plastic is protected from the elements with a KORAD<sup>®</sup> finish. KORAD<sup>®</sup> is the best finish available for protecting plastic parts from ultraviolet degradation. Your awning requires little in regard to care and/or maintenance.

### CLEANING

- DO:** Your awning may be cleaned using pure soap and lukewarm water. Most mild household cleaners or detergents may be used. After washing, rinse thoroughly. To avoid spotting, dry the surface by blotting with a damp cloth or chamois.
- DO NOT:** Use boiling water or solvent based cleaners to clean your awning as they may soften the plastic and/or damage the finish.
- DO NOT:** Use cloths containing grit or abrasive particles or kitchen scouring compounds. This will scratch the surface finish.

### HEAVY DIRT OR GREASE

Normal liquid cleaners or soap and water may not remove this type of dirt. *Janitor in a Drum* and *Cascade* were found to be the best cleaners to remove ground-in dirty grease.

### STAINS

Heavy stains, such as iodine, may be safely removed with 45% isopropyl alcohol (rubbing alcohol). Use sparingly as high concentration will dull the surface finish. The gloss can be returned using *Simoniz* paste wax. Wax sparingly in a thin even film with a soft clean cloth. Polish the waxed area lightly with a clean cotton (flannel) cloth. After polishing, wipe gently with a damp cloth to ground any electrostatic charges which may attract dust particles.

### SURFACE SCRATCHES

Light scratches may be removed by waxing with *Simoniz* paste wax. See section above for step by step instructions.