

WeatherBest™ Door Canopies

*Constructed of durable ABS Plastic with a
super-tough Korad™-Acrylic finish.*

Assembly Instructions

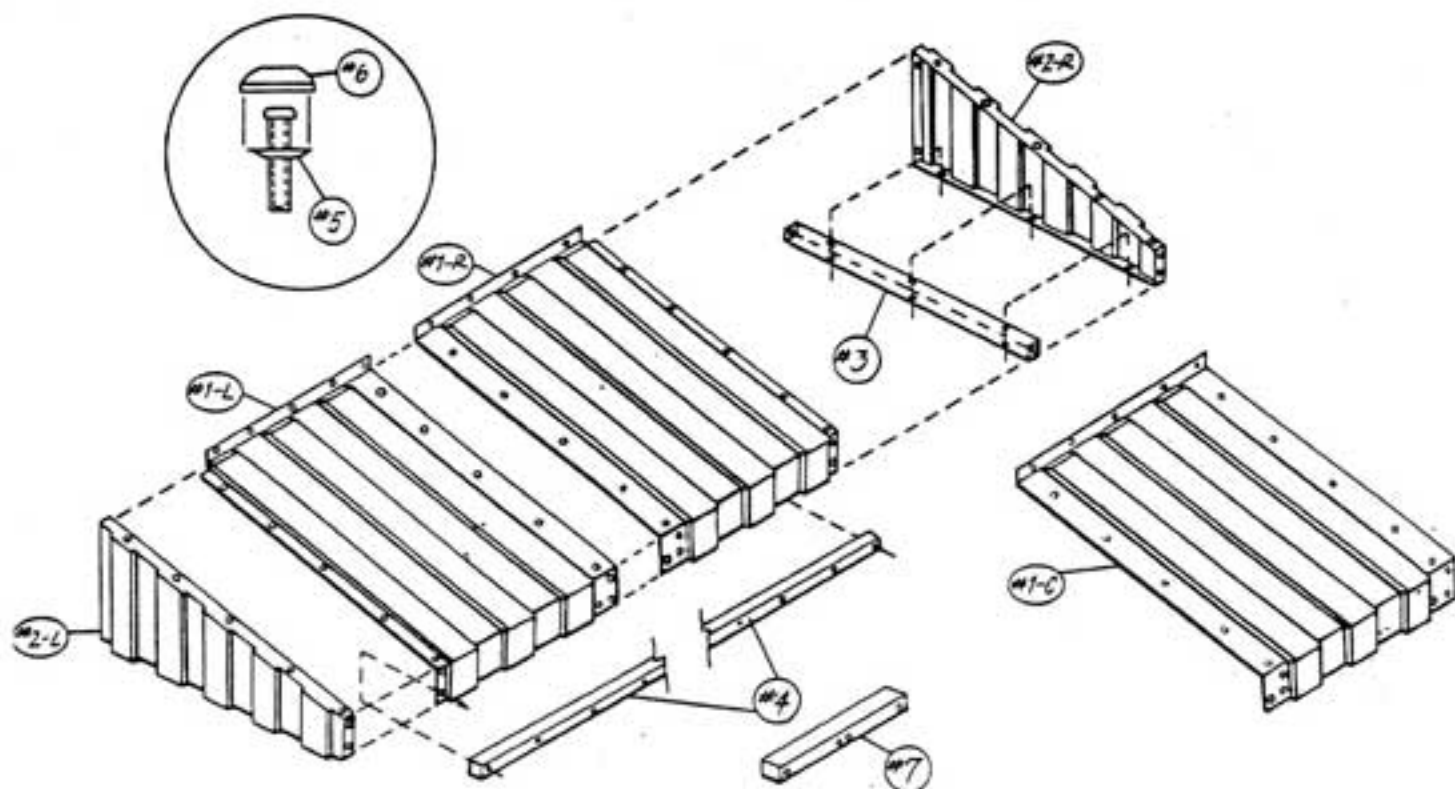
Tools Required: Phillips Screwdriver – 6”
3/8” nut driver or wrench
1/4” electric drill
11/64” drill bit
1/4” drill bit
36” carpenter’s level
Pencil
Ladder

Important Notes: 1) Read ALL installation steps before beginning assembly.
2) Open BOTH ENDS of shipping carton and each packaging insert to find all necessary hardware and components. Special attention should be given to the insert at the end of the carton that has a false bottom for packaging protection.
3) Before discarding any packaging material, check for small parts that may have been overlooked.

WeatherBest™ Awning & Canopy Limited Lifetime Warranty

East Iowa Plastics, Inc. provides the industry’s only lifetime warranty on exterior surface fading and a six-year warranty on tearing, breaking cracking, denting or splitting. Simply return defective awnings or canopies to place of purchase with proof of purchase.

East Iowa Plastics, Inc. will not be held liable for any direct, indirect, incidental, special or consequential damages. The manufacturer assumes no responsibility for failure or damage, due to improper installation. Our liability will not exceed the replacement of the defective awning or canopy itself. Installation costs will not be included.



CANOPY ASSEMBLY DIAGRAM

- | | |
|----------------------------------|--|
| #1. CENTER PANELS | #4. REINFORCEMENT TUBE(S) |
| 42" - 1 RIGHT, 1 LEFT | 42" - 1 TUBE |
| 63" - 1 RIGHT, 1 LEFT, 1 CENTER | 63" - 2 TUBES |
| 84" - 1 RIGHT, 1 LEFT, 2 CENTERS | 84" - 2 TUBES |
| #2. END PANELS (1 RIGHT, 1 LEFT) | #5. CUPPED WASHERS |
| #3. ANGLE BRACE (2) | #6. PLASTIC CAPS |
| | #7. SPLICE TUBE (FOR 63" AND 84" ONLY) |

PAINING INSTRUCTIONS

If you desire to change the base color of your new canopy it may be painted using a quality grade of solvent base acrylic enamel. A spray method of application provides the best results, such as a quality grade of exterior spray paint. Canopy will require two to three light coats for complete coverage.

Canopy must be clean and free of contaminants before painting. Wash with a mild soap and luke warm water solution. Rinse and allow canopy to dry completely. Test a small section for adhesion before completely painting. To ensure complete success, allow paint finish to completely dry and cure 24 to 48 hours before installation.

To maintain the reflective properties of the interior canopy surface we do not recommend painting the interior surface. To protect this surface from possible overspray, paper and masking tape should be used.

TROUBLE SHOOTING GUIDE FOR PLASTIC CANOPIES

Missing Hardware/Components

Due to the special packaging used to ensure your canopy and components arrive in satisfactory condition we ask that all packaging inserts and both ends of the carton be opened to expose all necessary hardware and component parts. If in the unlikely event a piece of hardware is missing from the carton simply call the store from which the canopy was purchased for replacement hardware. To expedite your request please specify color and overall length of canopy when ordering replacement parts. Also from the enclosed diagram specify which item(s) are missing from the carton and the manufacturing lot number shown on the front cover in the lower left corner.

Caps Will Not Snap in Place

First check to see that cupped washers and mounting screws are not overtightened. Screws should be tight, but not overtightened to deform plastic or cupped washer. Push the caps over your thumb as if trying to turn inside out. This will stretch the plugs to ease installation. If caps will still not snap in place a lubricant may be used, such as liquid dishwashing soap.

Wrinkle/Buige Along Inside Edge of End Panels

In the rear side of the canopy if the mounting screws are overtightened the side reinforcement bracket can be pulled out of square. This is especially true when the canopy is being mounted on wooden trim. These screws must not be overtightened. If overtightening is not the apparent cause, there may be an unevenness between the canopy surface and the mounting surface. This may be checked with the carpenters level, vertical along the canopy front. Add spacer washers until front surface appears level.

CARE, CLEANING AND MAINTENANCE OF YOUR CANOPY

Your new plastic canopy is manufactured using a high impact ABS plastic. The outer plastic is protected from the elements with a KORAD® finish. KORAD® is the best finish available for protecting plastic parts from ultraviolet degradation. Your canopy requires little in regard to care and/or maintenance.

CLEANING

- DO:** Your canopy may be cleaned using pure soap and lukewarm water. Most mild household cleaners or detergents may be used. After washing, rinse thoroughly. To avoid spotting, dry the surface by blotting with a damp cloth or chamois.
- DO NOT:** Use boiling water or solvent based cleaners to clean your canopy as they may soften the plastic and/or damage the finish.
- DO NOT:** Use cloths containing grit or abrasive particles or kitchen scouring compounds. This will scratch the surface finish.

HEAVY DIRT OR GREASE

Normal liquid cleaners or soap and water may not remove this type of dirt. *Janitor in a Drum* and *Cascade* were found to be the best cleaners to remove ground-in dirty grease.

STAINS

Heavy stains, such as iodine, may be safely removed with 45% isopropyl alcohol (rubbing alcohol). Use sparingly as high concentration will dull the surface finish. The gloss can be returned using *Simoniz* paste wax. Wax sparingly in a thin even film with a soft clean cloth. Polish the waxed area lightly with a clean cotton (flannel) cloth. After polishing, wipe gently with a damp cloth to ground any electrostatic charges which may attract dust particles.

SURFACE SCRATCHES

Light scratches may be removed by waxing with *Simoniz* paste wax. See section above for step by step instructions.

INSTALLATION STEPS

- STEP 1)** Draw a horizontal line on the home at the desired distance above the door. This line should extend the full length of the canopy width. **NOTE:** Exterior door should be opened to be certain that adequate clearance is allowed with canopy placement.
- STEP 2)** Lay end panels (#2) flat, interior side facing up. Place 39" long angle brace (#3) to the inside bottom edge aligning predrilled holes. Fasten using holes on the bottom edge only with #10-24 3/4" phillips head bolt, cupped washer and nylon nut. Nylon nut should be placed against the angle brace.
- STEP 3)** **42" Canopy (#1 - R & L Center Panels).** Join the two center panels with lap joint in center. The lap joint will be the wider of the two edges on each panel. The narrow edges will then be towards outside of the door frame. Join the center panels using #10-24 1/4" phillips head bolt with cupped washer and nylon nut provided. Nylon nut should be to the outside of the panels.
63" Canopy (#1 - R, L and C Panels) and 84" Canopy (#1 - R, L and two C Panels). Join the center panels as described above, using the center(s) with lap (wider) edges as the middle panel(s). The narrow edge will be towards the door frame.
- STEP 4)** Position center panels (#1) so top edge is even with horizontal line and ends are equally spaced from edges of door frame. mark hole locations with pencil. Drill 1/8" pilot holes to ease the placement of lag screws. Fasten with #10x1" phillips head lag screw and cupped washer (#5). **NOTE:** Flat side of cupped washer should be against plastic. **DO NOT** overtighten screws to cause plastic or cup washers to deform.
- STEP 5)** End panels should be slid over the center panel flange being sure to position the flanged end of the angle brace between the two pieces of plastic. Fasten end panels to center panels with #10-24 3/4" phillips head bolt, cupped washer and nylon nut. Nylon nut should be to the inside of the panel. **NOTE: DO NOT USE THE BOTTOM HOLE IN FRONT AT THIS TIME.**
- STEP 6)** **42" Canopy (#4 - 1 tube).** Place the square reinforcement tube between the end panels using the bottom front hole on the side panels and fasten using #10-24x1 1/4" phillips head bolt, cupped washer and nylon nut. Cupped washer should be to the outside of the canopy.
63" and 84" Canopy (#4 - 2 tubes and #7 - 1 tube). Center reinforcement is provided in three sections and designed to telescope inside one another. Insert splice tube (#7) inside larger tubes. Be sure holes are aligned by placing two #10-24x1 1/4" phillips head bolts through the outer most holes of each end where splice tube is located. These bolts should have cupped washer on head end of bolt. Fasten with nylon nut. **DO NOT** tighten fully at this point. Proceed with assembly as explained in STEP 6 for 42" canopy, being certain to have cupped washer side of reinforcement to the inside of the canopy.
- STEP 7)** Using carpenter's level align end panels vertically with door frame. mark hole locations and drill pilot holes using 1/8" drill bit. Fasten panels to wall using #10-24x1" phillips head lag screw with cupped washer (flat side towards plastic). **DO NOT** overtighten to cause plastic or cupped washer to deform.
- STEP 8)** Align bottom edge of center panels with square reinforcement tube. Drill 1/4" diameter holes from the inside of the canopy out using the holes in the reinforcement tube to pilot the drill. Fasten center panels to the reinforcement tube using #10-24x1 1/4" (for 42") and #10-24x1 1/4" (for 63" and 84") phillips head bolt, cupped washer, and nylon nut. Nylon nut should be to the inside of the canopy and against the reinforcement tube. Start in center of canopy, one hole location at a time, and alternate from one side to the other until you reach canopy sides.
- STEP 9)** Snap color coordinated plastic caps (#6) over all exposed cupped washers on both the outside and inside of the canopy to complete installation. If caps are difficult to snap into place, push the cap over you thumb as if trying to turn inside out. This will stretch the cap enough to ease installation.

– SPECIAL NOTE TO MOBILE HOME OWNERS –

To properly install this product, a minimum of 12 inches in height is required for clearance above an outswinging exterior door. If the roof line of the mobile home does not allow the canopy to be properly installed within this guideline, simply return the unit intact in the original carton to the location of purchase for a complete refund. It is **RECOMMENDED** to install this door canopy on a wooden support structure and not directly to the home.

- Install a 1"x4"x42" (1"x4"x63" or 1"x4"x84") wood board directly over the door. Secure it to the studs in the wall.
- Install a 1"x4"x16" wood board on each side. Secure these also to the studs in the wall.
- Run a bead of caulk on top of each board to prevent water penetration
- Mount the door canopy on these boards.