

Installation Instructions

DF48-W2 Ventilation Door

IMPORTANT: Always use sound safety practices and the proper personal protection equipment when installing this product.

CAUTION: To avoid any installation errors please read all instructions *before proceeding with the installation procedure*, and follow the steps as outlined. Due to the DF48-W2's unique design, the top frame is approximately 1 1/2" wider than most metal frames, therefore for sidewall mounts the top opening should be at least 4" below the ceiling insulation to provide adequate space for the installing of a pulley, cable, and connectors. *It is the builder's responsibility to determine needed clearance.*

PARTS LIST: DF48-W2 fully assembled except for eyebolt, hex nuts, and washers. *Flat-headed mounting screws not included.*

Quantity	Part#	Description	Quantity	Part#	Description
1	D48-W	Plastic Door	1	B1	3" Eye Bolt
1	F48-W	Plastic Frame	2	W1	1" Flat Fender Washer
3	H1	Plastic Hinge	2	N1	1/4" Hex Nut
2	T1	Plastic Locking Tab			

INSTALLATION REQUIREMENTS: Tape measure, square, saw, level, power drill or cordless screwdriver, 2 - 7/16" wrenches. **East Iowa Plastics suggests using a flat-headed screw**, (such as a sheet-metal screw) to secure the DF48-W2 frame and hinges through particleboard & into the 2x4 or 4x4 frame. Screws are not provided. *Drywall screws are not recommended.*

DF48-W2 INSTALLATION

Retrofit Construction: *(for New Construction Proceed to Step 3)*

Step 1: WALL OPENING

On a relatively smooth ceiling or wall, mark a minimum opening of 11" tall x 46 7/8". For sidewall mounts the top of this opening should be at least 4" below the ceiling insulation. Make sure the hole opening is level & square. The maximum opening should not exceed 13 1/2" x 48 1/2". It is the builder's responsibility to determine needed clearance

Step 2:

Cut out marked area. Proceed to Step 4.

New Construction:

VERY CRITICAL

Step 3:

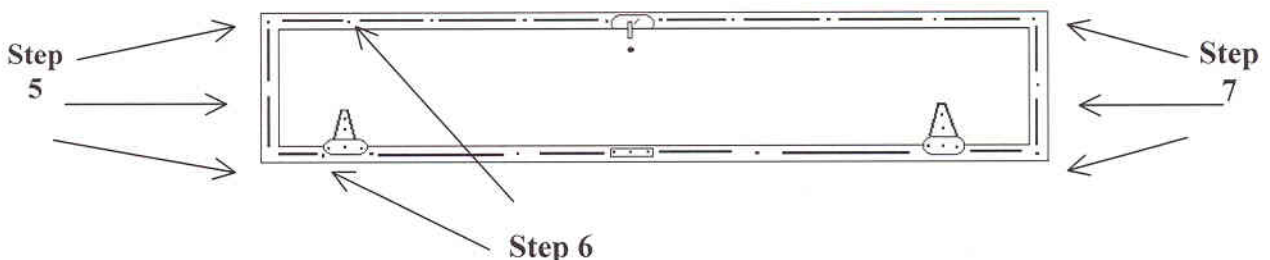
ROUGH FRAME OPENING: **The DF48-W2 is designed to be attached with 51-1/2 inch OC spacing.** Be sure the rough framing has been properly accommodated, usually "scabbing" at least 2" of additional material onto the outside of the standard 48" OC framing. (This allows the maximum amount of airflow on the inside of the 48" framing.)

Step 4:

Insert the frame bottom, with the hinges down, into the wall opening and allow the frame to rest freely on the base of the opening. **CAUTION:** *Do not force or distort frame during this process as alignment problems could occur.*

Step 5:

With the frame positioned level and centered in the wall opening, **use flat-headed screws** to attach the frame to the wall. Begin by using three screws to first attach one side/end of the frame. **Do not over tighten.**



Step 6:

Confirm the frame is still level. Starting from the attached end and working equally across both the top and bottom, continue driving screws into the frame. **Using nails may cause the frame to crack or break.**

Step 7:

Complete attachment by driving three screws into the opposite end. **Do not over tighten**

Step 8: IMPORTANT: HINGE ATTACHMENT (*sidewall inlets only*)

Drive screws securely in all hinges, placing a minimum of two (2) screws per hinge, in outside holes of the hinge.

Step 9:

Loosen tab and allow the door to open freely to assure the door is properly aligned. *NOTE: If the door will not open without assistance, determine if the frame has been distorted or if the hole opening is not square.* In either case, the DF-48W2 needs to be removed and the problem corrected before proceeding (review Steps 1 through 7).

Step 10:

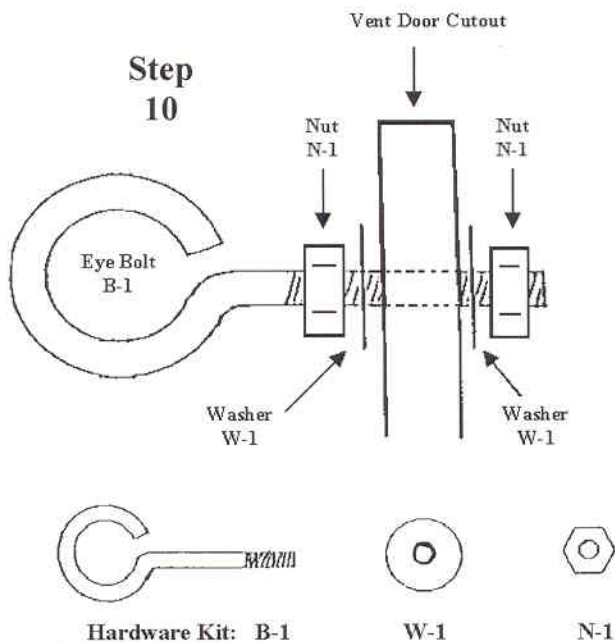
EYE BOLT INSTALLATION

Open tabs and allow door to swing open so inside of the door is visible. Open hardware packet. First place one hex nut and then one washer onto the shank of the eye bolt and insert through front side of door and hole provided in center of door. On the insulation side of the door place a second washer and hex nut. Use two 7/16" wrenches to securely lock the hex nuts together.

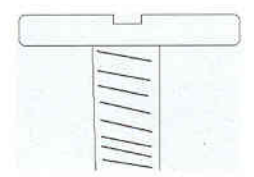
East Iowa Plastics assumes no liability for special, indirect, or consequential damages due to improper installation, door or frame alignment, and/or improper adjustment of the automatic or manual ventilation door controller system, or its connectors. In no way shall the manufacture/seller be liable for any special, indirect, or consequential damages.

For additional information regarding the DF48-W2 or other poultry related products, please contact your local poultry equipment dealer, Pakster Distributor, or contact us to locate a distributor near you:

EAST IOWA PLASTICS, INC.
601 – 17TH STREET SE
INDEPENDENCE, IA 50644
(800) 803-0038 (319) 334-2555 FAX
EIPinfo@eastiowaplastics.com

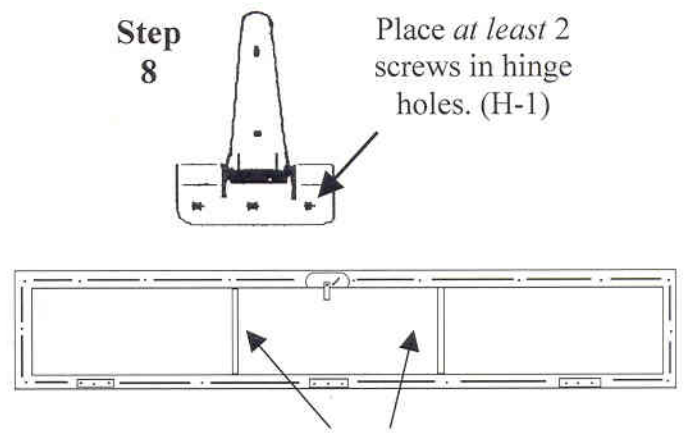


For superior performance we recommend using "flat-head" screws to secure the DF-48W2 to the wall.



Step 8

Place at least 2 screws in hinge holes. (H-1)



To increase airflow, the two crossbeams may be removed AFTER completed installation.